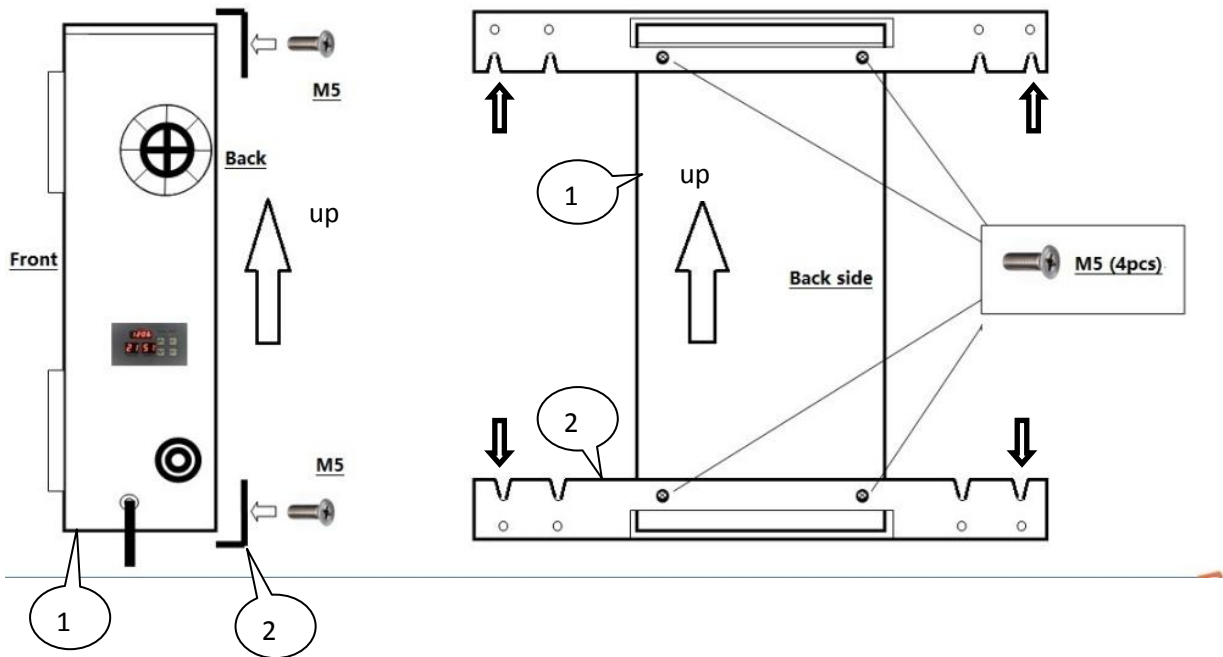


Installation instructions, (DHG100, in Garage install only)

Before your install a Canfresh system !!

				
<u>Safety goggles</u>	<u>Protection boots</u>	<u>Working gloves</u>	Philips screwdrivers	Stud-finder

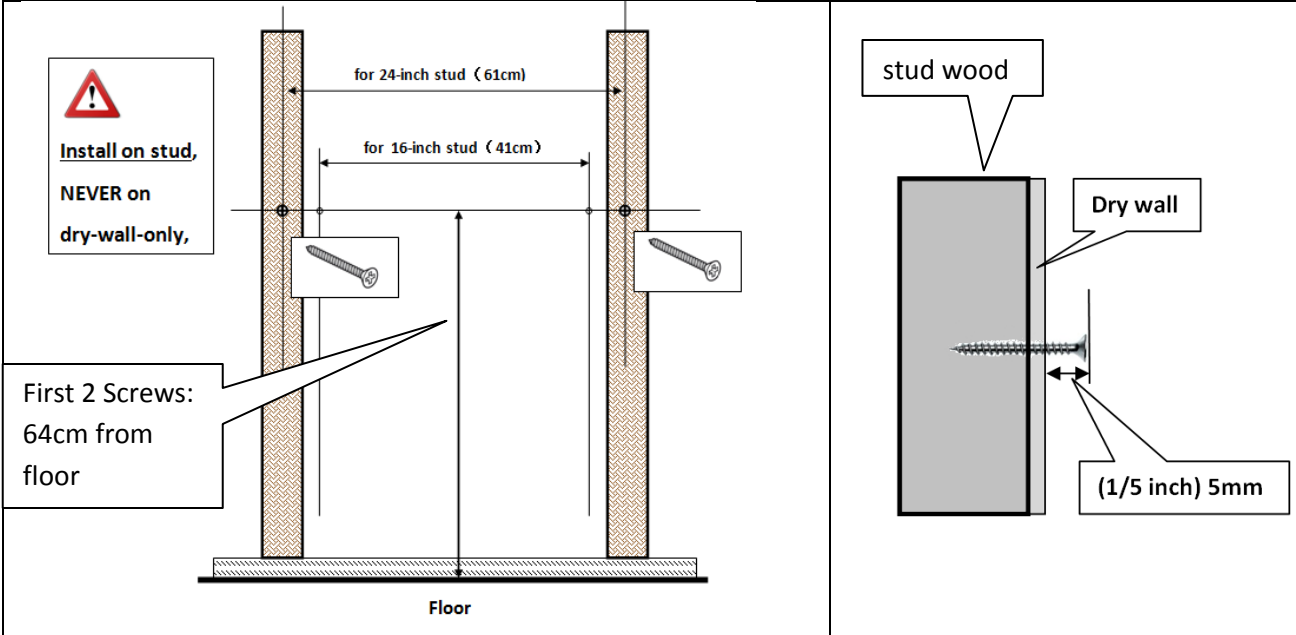
A, install mounting kits (2) onto DHG100 unit (1), as follows:



- 1, DHG100
- 2, mounting kits

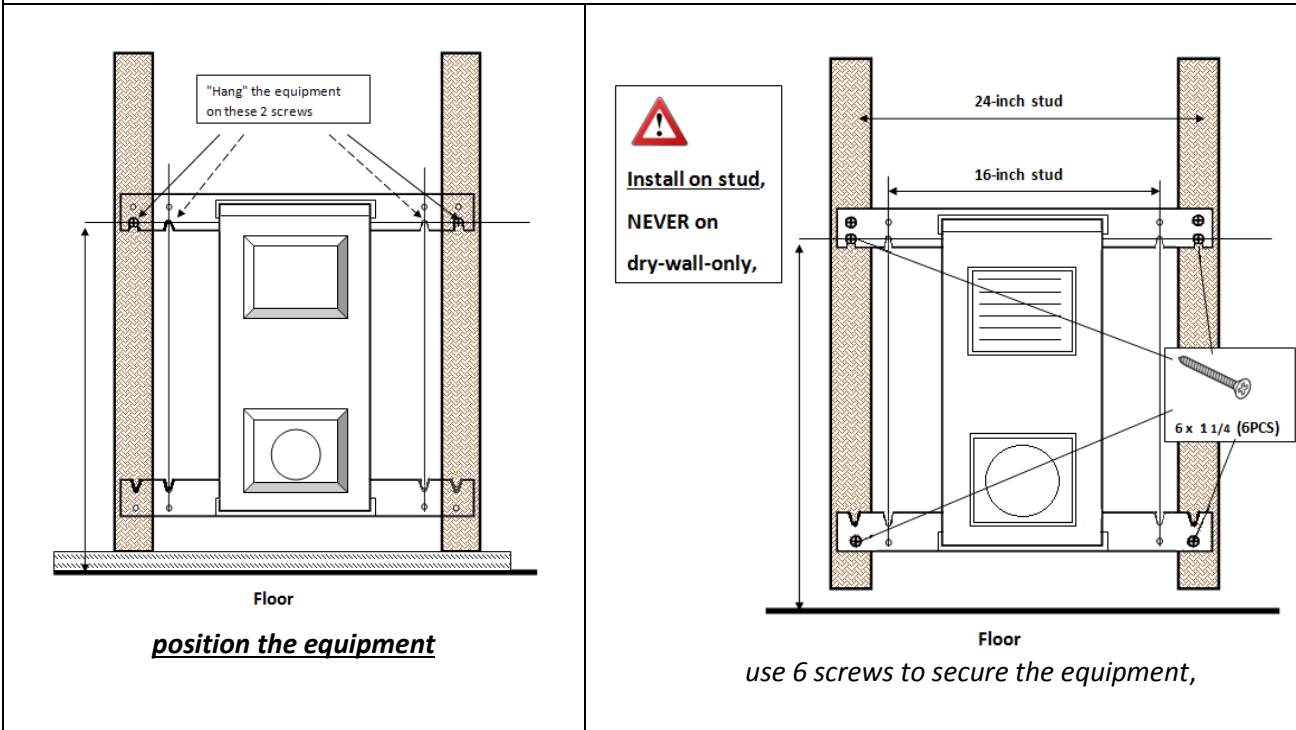
3, Please note the directions of **the openings**, **↑** and **↓**

B, Install first two screws on studs (**--never install DHG100 on dry wall only**)

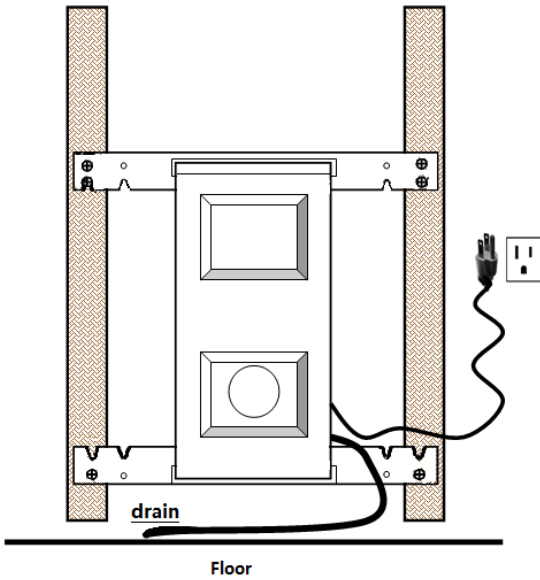


- 1, use a stud-finder to location studs' positions,
- 2, drive the first two screws into studs, leaving about 5mm gap to "HANG" the equipment, as shown,
- 3, **secure these two screws after positioning DHG100 in place,**
- 4, make sure the screws are driven through dry wall (if there is dry wall) and firmly **fixed on the studs.**

C, Firmly secure equipment with 4 more screws on studs. (6 screws in total)



D, Position the drainage tube, and plug in the power cord.

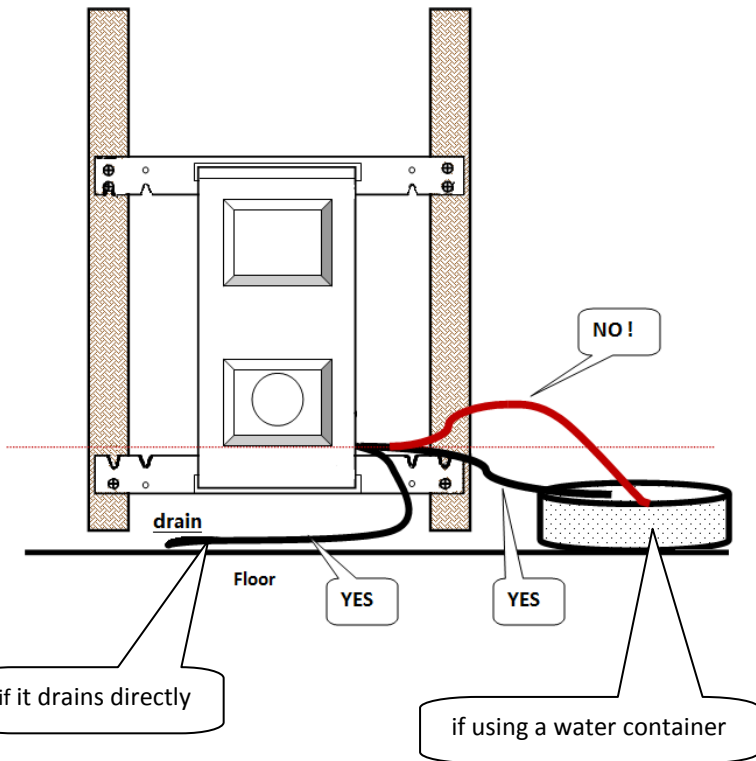


1, This equipment is recommended for installation in a garage,

2, use a longer drain tube if you don't want drainage water discharged on garage floor, or use a container to collect drainage water. (longer tube or container is not included)

3, **DO NOT** use a power extension cord.

4, **Never** plug the power if the cord is damaged or broken.

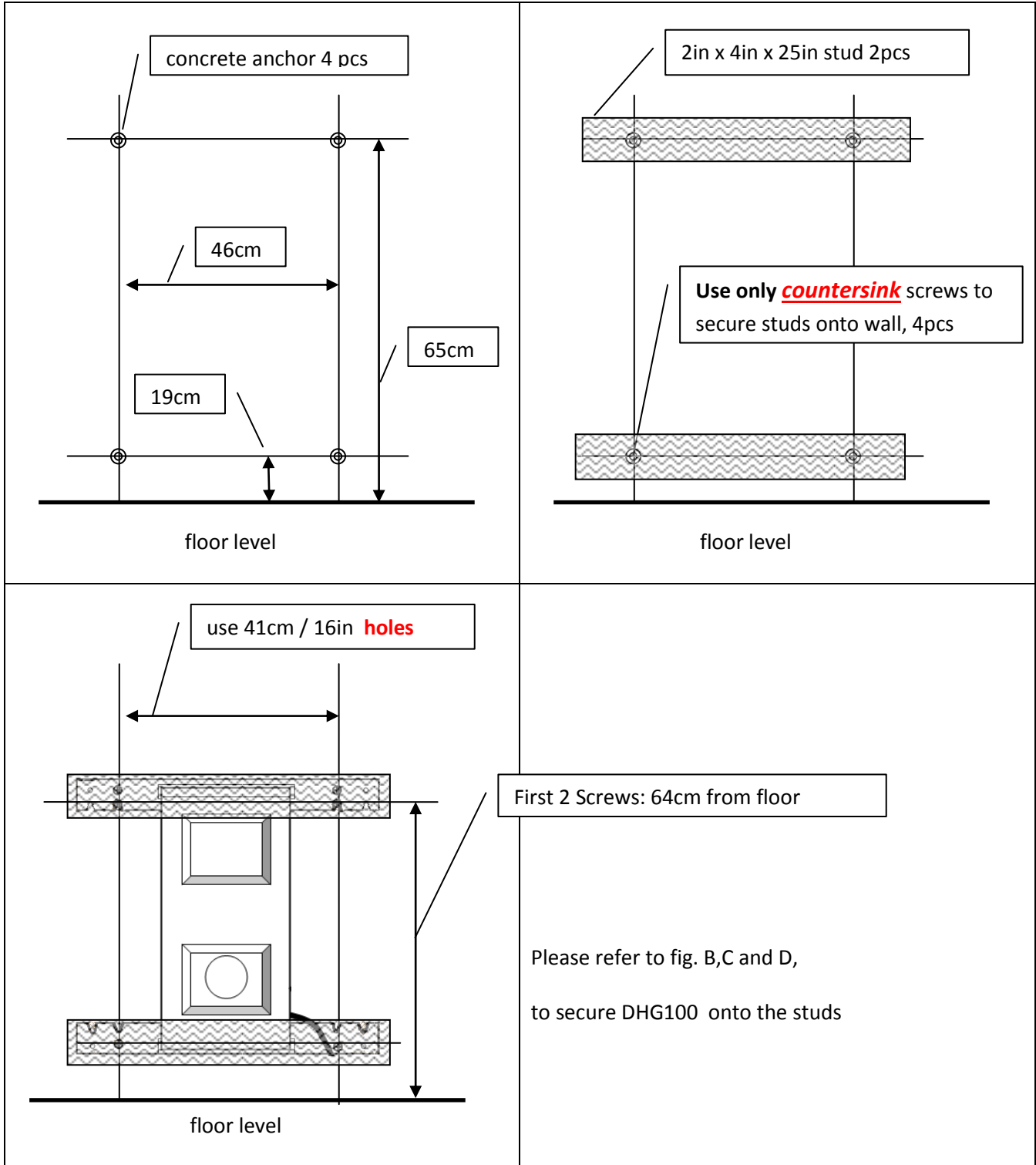


1, Use a container that is not bigger than 8cm (3 inch) in height,

2, Make sure the drain tube running down-ward all the way.

3, **Never drink** the drainage water!!

E, Installation **on concrete wall**: (accessories not included)



<p>A Canfresh illustration,</p>	<p>A Canfresh system installed and operation in a garage</p>	<p>A Canfresh system installed in a room</p>
<p>Fig. A</p> <p>11, wall , 12, wall-mounted dehumidifier unit 13, garbage can , 14, wall, 15, floor</p>	<p>Installed on studs with standard mounting kits.</p>	<p>Installed on Polywood board without standard mounting kits.</p>

After Installation:
Place the green bin in position,
Check this gap,
It has to be between 1 cm to 2.5 cm.

This gap is between 1 cm to 2.5 cm

mat